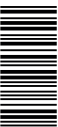


---

# Loewe klang link

36714002



Quick Start Guide

---

**LOEWE.**

---

Loewe Technologies GmbH  
Industriestraße 11  
D-96317 Kronach  
[www.loewe.tv](http://www.loewe.tv)  
© Loewe Technologies GmbH, Kronach 03/19-4.0 PS

The screen graphics used are only exemplary. Depending on the device type, the available hardware/software components may be different.

The information in this document is subject to change without notice and does not constitute any obligation on the part of Loewe Technologies GmbH.

All rights including translation, technical modifications and errors reserved.

---

■	Loewe klang link
	Quick Start Guide
	Delivery specification
	Designations of the connectors

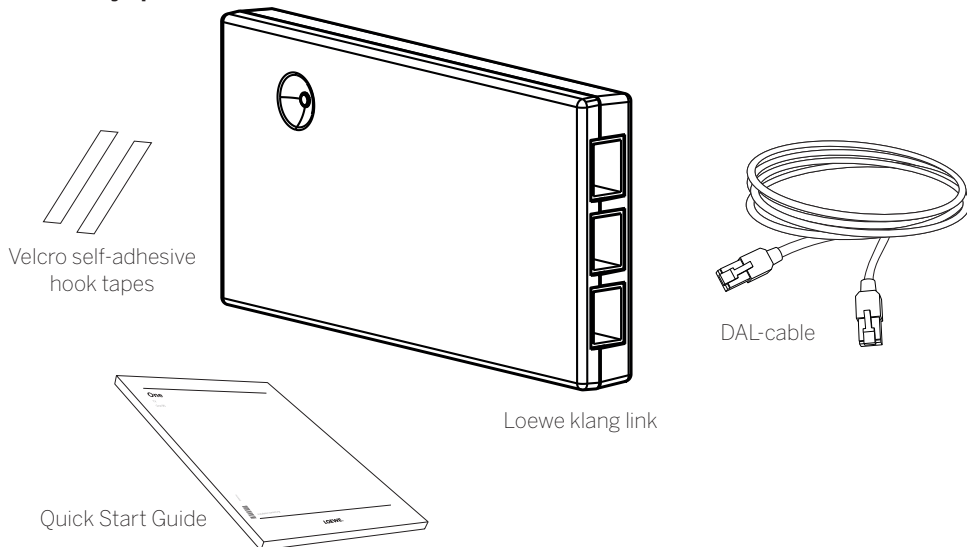
## Welcome!

By means of the Loewe klang link it is now possible to operate your Loewe klang 5/9 speakers and Loewe klang 5 subwoofer wirelessly.

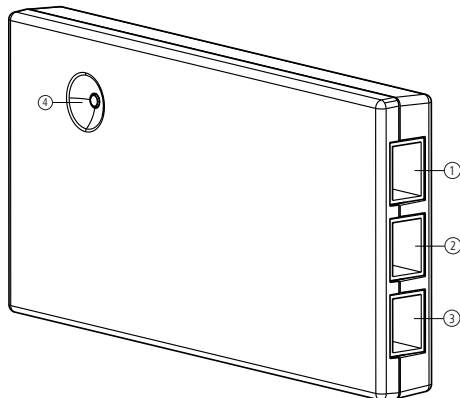
You can put your Loewe klang link box into operation in 3 steps.

- Mount the Loewe klang link to the rear panel of the TV set.
- Connect the Loewe klang link.
- Connect the Loewe klang 5/9 speakers and Loewe klang 5 subwoofer to your Loewe klang link box.

## Delivery specification



## Designations of the connectors



- ① **DAL IN** - Digital Audio Link input
- ② **DAL OUT** - Digital Audio Link output
- ③ **DAL OUT** - Digital Audio Link output
- ④ **PAIRING / RESET**

## Intended use

The Loewe klang link box is designed for wireless transmission of audio signals. It can only be used in conjunction with a Loewe sound system and a Loewe TV set, the box cannot be operated on its own.

The safety instructions contained in the operating instructions for the TV set and the loudspeaker/subwoofer must continue to be observed and also apply to the connected system. If properly installed, this product is safe, but keep water and open fire away from the product.

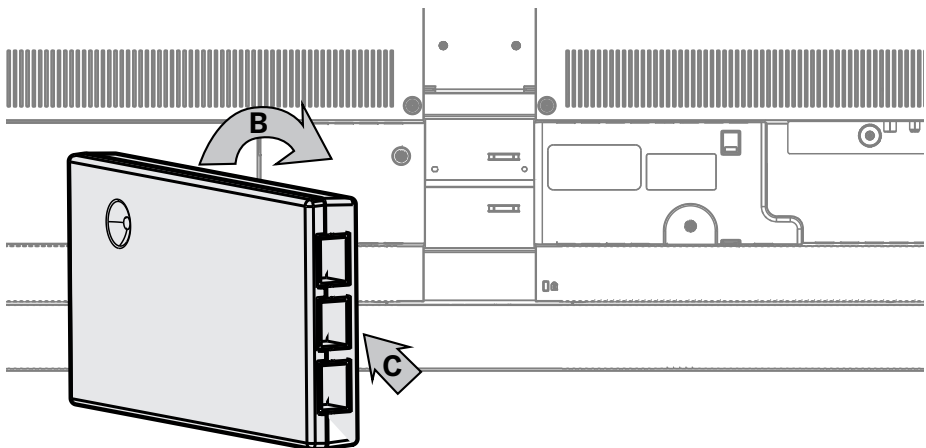
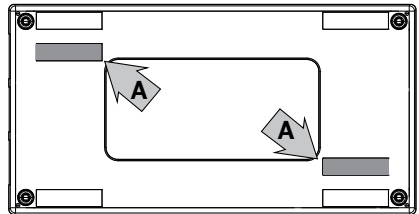
## Mounting the Loewe klang link

With the supplied self-adhesive hook Velcro strips the Loewe klang link can be attached to the rear panel of the TV set.

In case of TV sets with a corresponding recess in the rear cable tray you can install the Loewe klang link directly in the cable tray.

In this case, make sure that the adhesive tapes are not applied to an adhesive label or rating plate, but directly to the TV rear panel.

- Switch the TV set off using the power switch.
- Pull off the rear foil from two strips of the hook Velcro strips and attach one strip each to the recesses (A) at the bottom side of the Loewe klang link.
- Fasten the Velcro sides of the two remaining strips to the previously glued hook Velcro strips.
- Peel off the backing foil of the two adhesive tapes.
- Press the housing bottom (B) of the Loewe klang link with the two adhesive tapes firmly to the desired location on the TV set rear panel to fix this. The connection sockets (C) must point to the right.

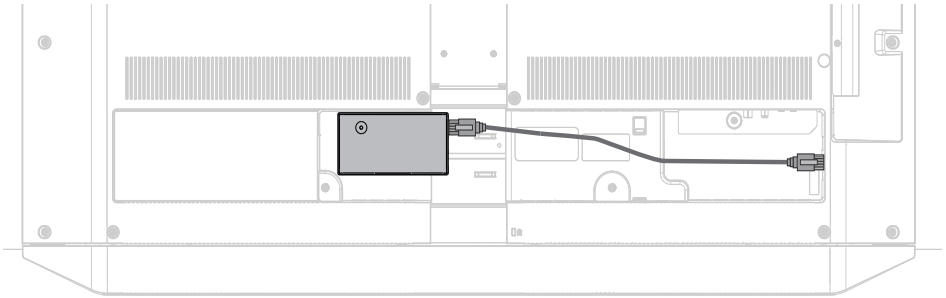


## Connecting the Loewe klang link

**i** The operation of several Loewe klang link boxes within a system does not work. You can only use one box.

- Plug one end of the supplied DAL cable to the socket **① DAL IN** of the Loewe klang link and the other end to the socket **Digital Audio Link** of your Loewe TV set.
- After connecting the Loewe klang link you can turn on the power switch of your TV set.

The illustration of the wiring is shown for the Loewe bild 7 TV set as an example.



- If you operate a cable linked 2.0 system, you have the possibility of using the two **DAL OUT** sockets of the Loewe klang link box.

We have created this connection possibility for you to avoid an unnecessarily long connection cable. This allows you to use a connection cable from each **DAL OUT** socket to each loudspeaker/subwoofer. You do not have to lay a long connecting line from loudspeaker/subwoofer to loudspeaker/subwoofer.

## Software updating of the TV set

Under certain circumstances it may be necessary that the software of your TV set needs to be updated for the operation of the TV set with the Loewe klang link.

Using the equipment menu, please check the software version that is currently installed on your TV set (accessed through: **Home view → System settings → Extras → Integrated features of the TV**). The software package version installed on your TV set can be found in category **Software**.

Updating can be done via online update via the Internet (accessed through: **Home view → System settings → Operation → Software → Software update**).

For further information regarding the software update see the chapter Miscellaneous in the instruction manual, which came with your TV set.

## Commissioning the Loewe klang link

Using the sound components view of your Loewe TV set you can configure the Loewe klang link box.



**HOME:** Call **Home** view.



◀ ▶ ▲ ▼ Mark **System settings**.

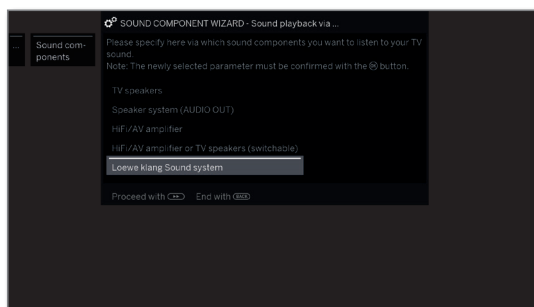
**OK** call System settings.

▲ ▼ Select **Connections**.

▶ go to next column.

▲ ▼ Select **Sound components**.

▶ go to next column.



▲ ▼ Select the **Loewe klang Sound system**.

Refer to the manual of your Loewe speakers/subwoofer for additional information on pairing and linking.

## Specifications

Loewe device type:	Loewe klang link
Order No.:	56222W00
Power supply:	12V via DAL IN
Current consumption:	max. 0,2A
Wireless:	max. 10 mW @ 5,8 GHz

## Conformity / Manufacturer's declaration



Loewe Technologies GmbH hereby declares that this product meets the essential requirements and other relevant provisions of Directive 2014/53/EU and all applicable EU directives.

You can find the complete declaration of conformity in the product selection at:

[www.loewe.tv/int/my-loewe](http://www.loewe.tv/int/my-loewe)



---

---

**LOEWE.**